

APPLICATION & PERFORMANCE SPECIFICATION

B132PUNVHE-B

Description: High frequency electronic ballast

Primary lamp application: 1xF32T8

Secondary lamp applications: 1xF32T8ES-30W, 1xF28T8, 1xF32T8ES-25W, 1xF25T8, 1xF25T8ES-22W, 1xF17T8



Features

- Line voltage: 108 - 305 VAC, 50/60Hz
- Active power factor correction
- Programmed Start

Performance

Lamp		Volts:	Input Watts:	Nominal Line Amps	Power Factor	Ballast Factor	Ballast Efficacy Factor	Harmonic Total	Crest Factor
Type	Qty								
F32T8	1	120	29	0.24	>.99	0.86	2.96	<10%	<1.7
		277	29	0.11	>.97	0.86	2.99	<10%	
F32T8ES (30W)	1	120	27	0.23	>.99	0.83	3.01	<10%	<1.7
		277	27	0.10	>.95	0.82	3.03	<10%	
F32T8ES (25W)	1	120	24	0.20	>.99	0.80	3.39	<10%	<1.7
		277	24	0.09	>.95	0.80	3.40	<10%	
F28T8	1	120	25	0.21	>.99	0.83	3.36	<10%	<1.7
		277	24	0.09	>.95	0.83	3.37	<10%	
F25T8	1	120	23	0.19	>.99	0.87	3.79	<10%	<1.7
		277	23	0.09	>.95	0.87	3.80	<10%	
F25T8ES (22W)	1	120	20	0.17	>.99	0.84	4.26	<10%	<1.7
		277	20	0.08	>.90	0.84	4.26	<10%	
F17T8	1	120	17	0.14	>.99	0.85	5.10	<10%	<1.7
		277	17	0.07	>.90	0.85	5.10	<10%	
F32T8/U	1	120	30	0.25	>.99	0.86	2.90	<10%	<1.7
		277	29	0.11	>.97	0.86	2.93	<10%	
F31T8/U	1	120	28	0.24	>.99	0.87	3.05	<10%	<1.7
		277	28	0.10	>.97	0.87	3.08	<10%	
F24T8/U	1	120	22	0.18	>.99	0.88	4.07	<10%	<1.7
		277	22	0.08	>.95	0.88	4.08	<10%	
F16T8/U	1	120	15	0.13	>.99	0.85	5.52	<10%	<1.7
		277	15	0.06	>.90	0.85	5.53	<10%	

Application and operation performance specification information subject to change without notification.

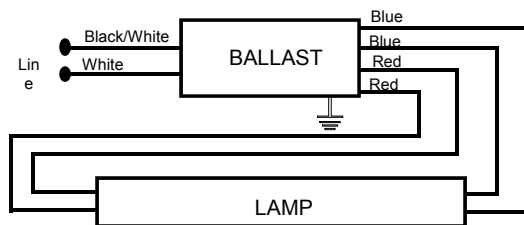
Standards, Listings and Compliance

- cUL_{US} Listed
- Class P, Type 1 Outdoor, Type HL
- FCC CFR 47 Part 18 for EMI and RFI non-consumer limits
- ANSI Standard C82.11
- ANSI Standard C62.41
- Sound Rated: Class A
- Contains no PCB's
- Antistriation Circuitry

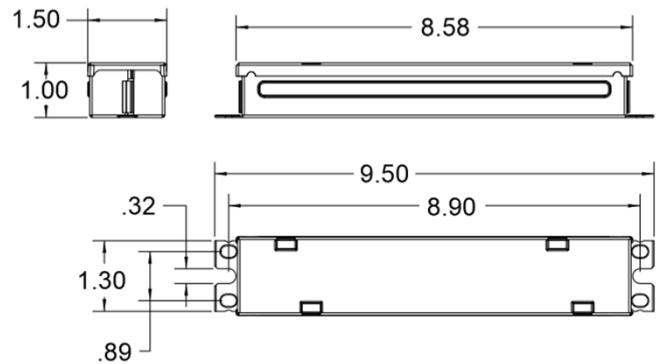
B132PUNVHE-B

Application		Dimensions	Leads ($\pm 1"$)	
• Minimum starting temperature:	0°F/-18°C	• Overall length: 9.5"	<u>010C, 000T</u>	<u>000I</u>
With No Remote Mounting:	-20°F/-29°C	• Overall width: 1.5"	• Black/White	25" 12"
Energy Saving Lamps:	60°F/16°C	• Overall height: 1.0"	• White	25" 12"
• Maximum case temperature at t_c : 167°F/75°C		• Mounting Length: 8.9"	• Red	43" 21"
• Remote mounting: 20' full wattage lamps, 6' ES lamps		• Weight: 1.1-lb	• Blue	33" 12"

Connections



Dimensions (inches)



Note: Nominal dimensions provided above
Contact Universal for drawings and/or
tolerances

Note: T_c Location is displayed on product label

Ballast must be grounded – a star washer or other paint penetrating device is required
Ballast must be installed in accordance with national and local electrical codes
Manufactured in North America by Universal Lighting Technologies

WARRANTY

Universal Lighting Technologies warrants to the purchaser that each electronic ballast will be free from defects in material or workmanship for a period of (5) years from date of manufacture when properly installed and under normal conditions of use.

Call 1-800-BALLASTx800 for technical assistance.